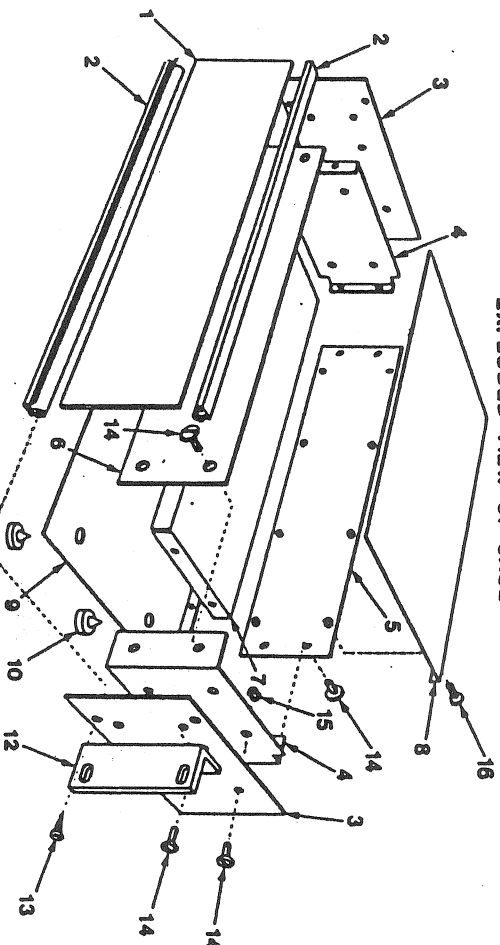
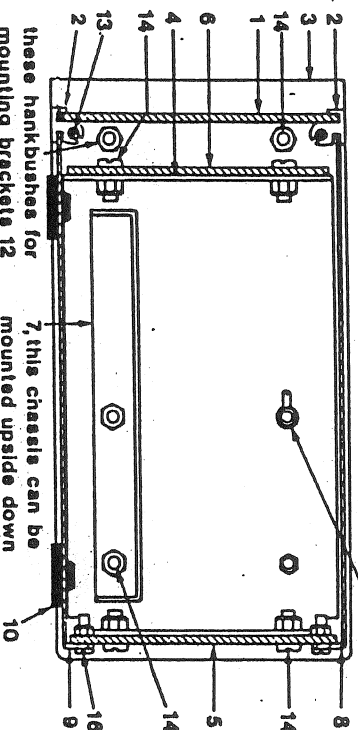


### ASSEMBLY DETAILS

#### EXPLODED VIEW OF CASE



#### SECTION THROUGH CASE



	description	no. off	description	no. off
1	front panel	1	10 rubber feet	4
2	extrusions	2		
3	end plates	2	12 mounting brackets (as ordered)	
4	cover support brackets	2		
5	rear panel	1	13 self tapping screws	4
6	optional front panel sub-chassis	1	14 M4 screws	
			15 M4 nuts	
7	chassis	1	16 M3 screws	
8	top cover	1	17 M4 solder tags	2
9	bottom cover	1		